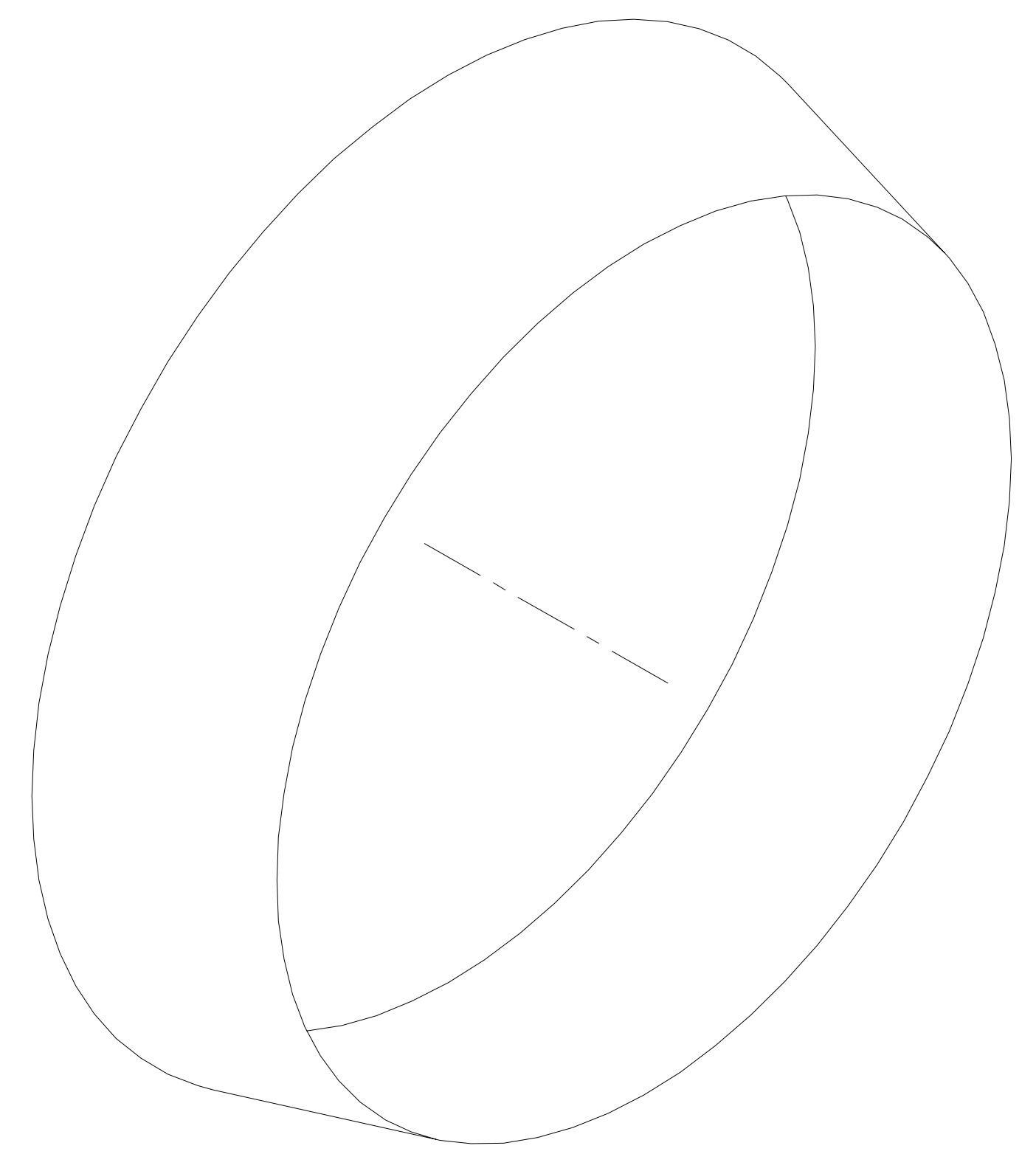
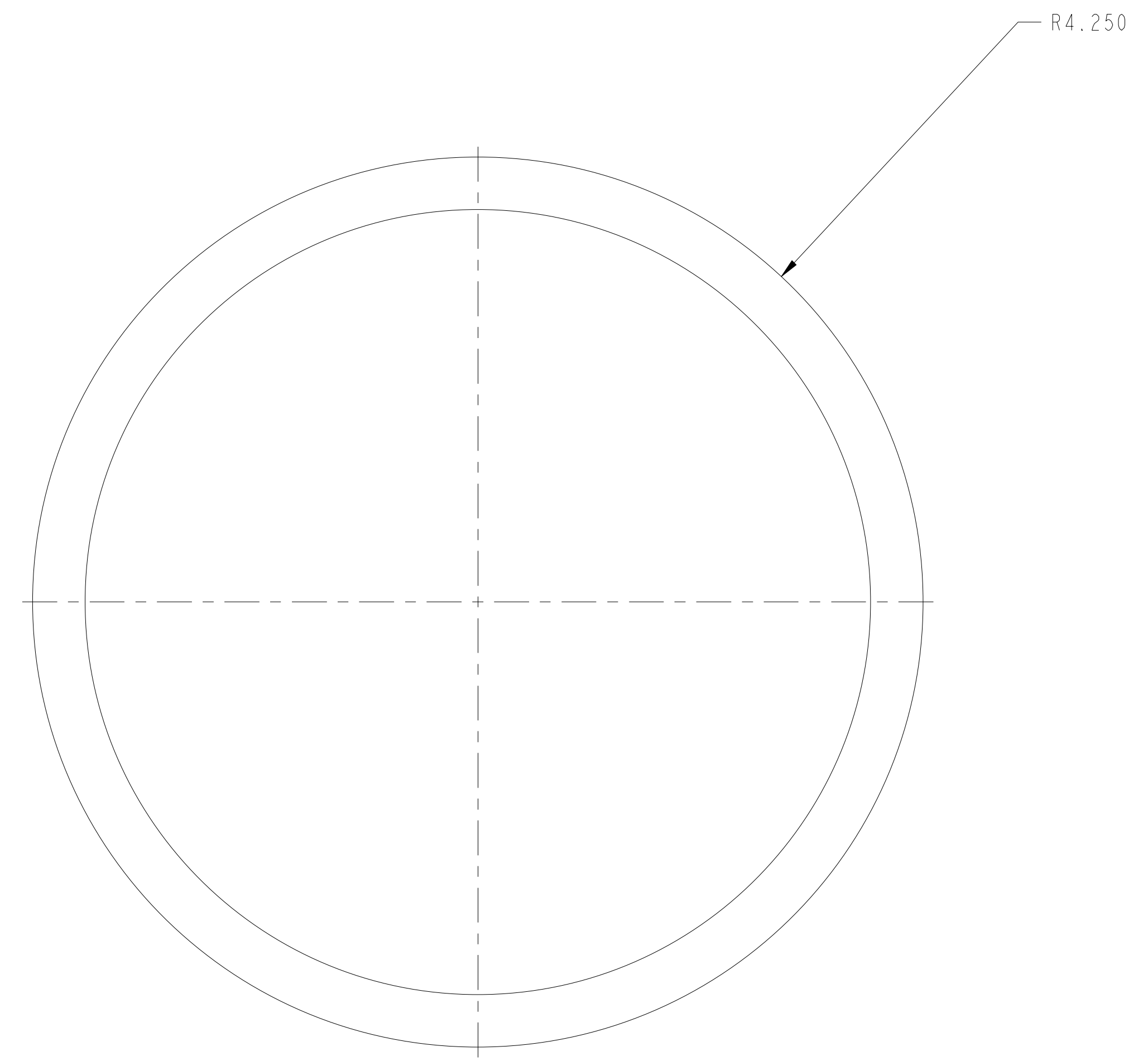
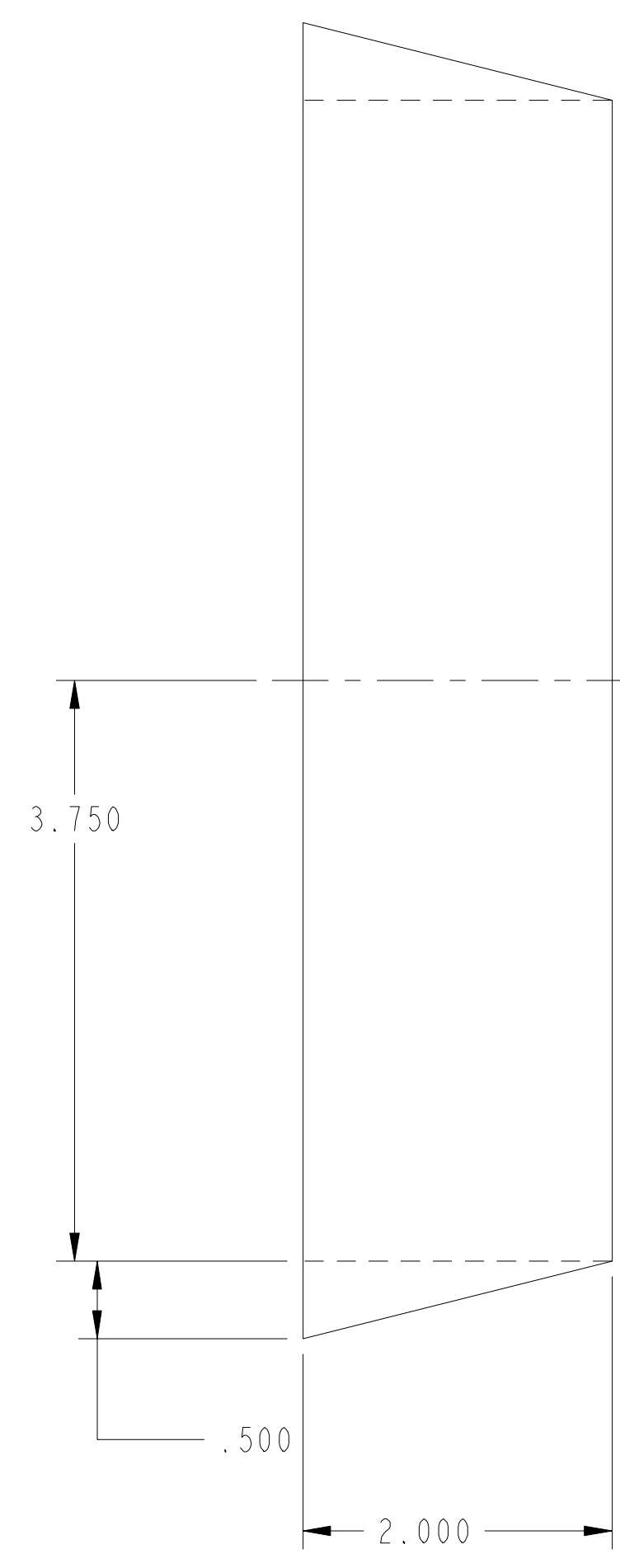


8 7 6 5 4 3

DWG NO.	SA5S015	SH	I
REVISION HISTORY			
REV	DESCRIPTION	DATE	APPROVED
-	INITIAL DRAWING	04-04-17	RDV

D
C
B
A

D
C
B
A



INFORMATION CONTAINED ON THIS DRAWING IS NOT FOR COMMERCIAL USE
VIOLATORS OF THIS POLICY WILL BE STERNLY FROWNED UPON

DO NOT SCALE DRAWING

UNLESS OTHERWISE SPECIFIED	PROJECT	rocket team vatsaas		
ROCK BEATS SCISSORS	SA-5 GAMMON			
CLOSE COVER BEFORE STRIKING	LAYOUT RDV	XX-XX-XX	TITLE	
DIMENSIONS ARE IN INCHES	DRAWN RDV	XX-XX-XX	FLARE, TAIL	
TOLERANCE ON DIMENSIONS			SA-5 GAMMON	
± 0.02 ON 2 PLACE			SIZE	SPOOOOON!
± 0.005 ON 3 PLACE			D	90210
THIRD ANGLE PROJECTION			DWG NO.	SA5S015
			REV	-
			SCALE	NONE
				SHEET 1 OF 1

8 7 6 5 4 3 2 1