

ASSEMBLY INSTRUCTIONS: 2080G

IMPORTANT: WE ADVISE YOU TO ASSEMBLE THE TENT ONCE BEFORE GOING CAMPING TO ASSURE THAT ALL PARTS ARE PRESENT AND TO BECOME FAMILIAR WITH THE ASSEMBLY OF THE TENT.

To prolong the life of the tent floor, select a level, clean area for the campsite.

Step 1 – Lay Out the Screenhouse and Poles

Select a smooth, level site and spread out your screenhouse.

Sort the poles by number and connect the sections together. See diagrams below for numbering.

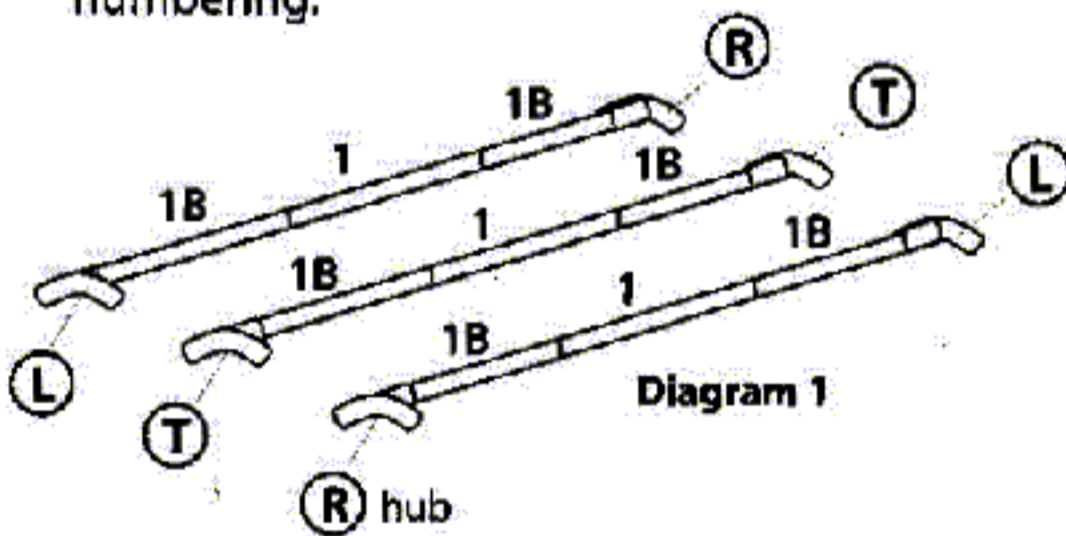


Diagram 1

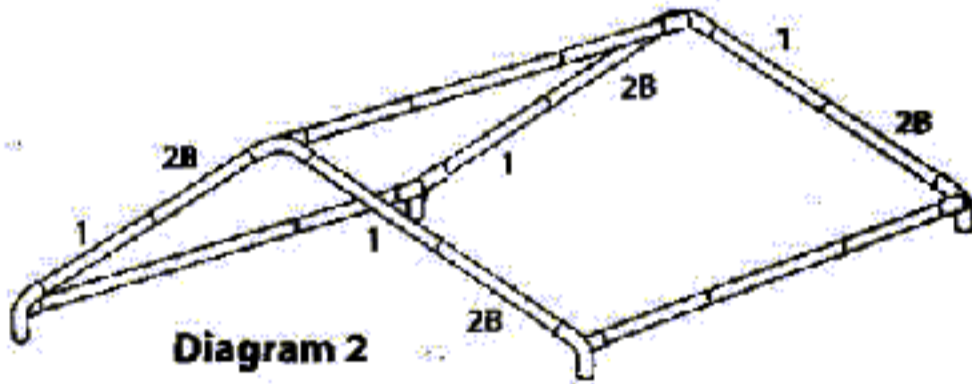


Diagram 2

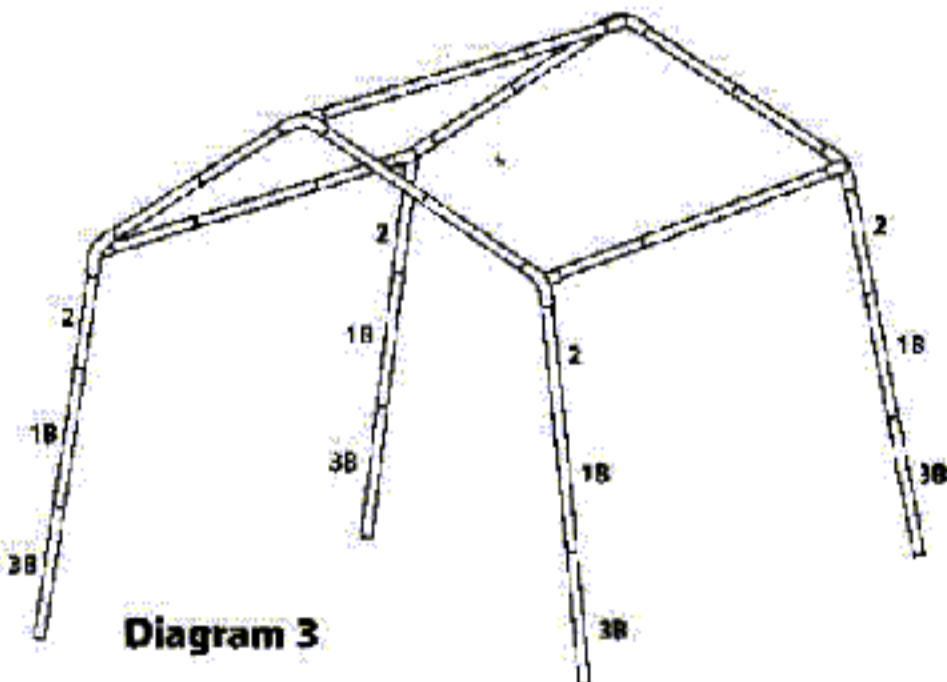


Diagram 3

Step 2 – Install the Poles

Insert the ends of each of the three roof poles into the 3-way hubs **A**. See Diagram 1.

Insert the four side roof poles into the 3-way hubs. See Diagram 2.

Insert the leg poles into the hubs to raise the shelter. Make sure that the pole end with the holes in the side (**C**) is pointing down. See Diagram 3.

Step 3 – Secure the Sun Shelter

Drape the sun shelter over the pole structure.

Hook the S-Hooks **B** into one of the holes **C** located at the bottom of the leg poles.

Wrap the velcro tape **D**, located inside the shelter at the centers, around the poles to secure them.

When the shelter is in its proper location, stake it down by driving stakes through the four webbing loops **E** located at the corners.

Step 4 – Install the Guy Lines

Tie the loose end of a guy line through a D-ring **F**. Repeat for the other three guy lines.

Stake the looped end of the guy line out about 3' from the base of the pole. Adjust the slider until the line is taut **G**.

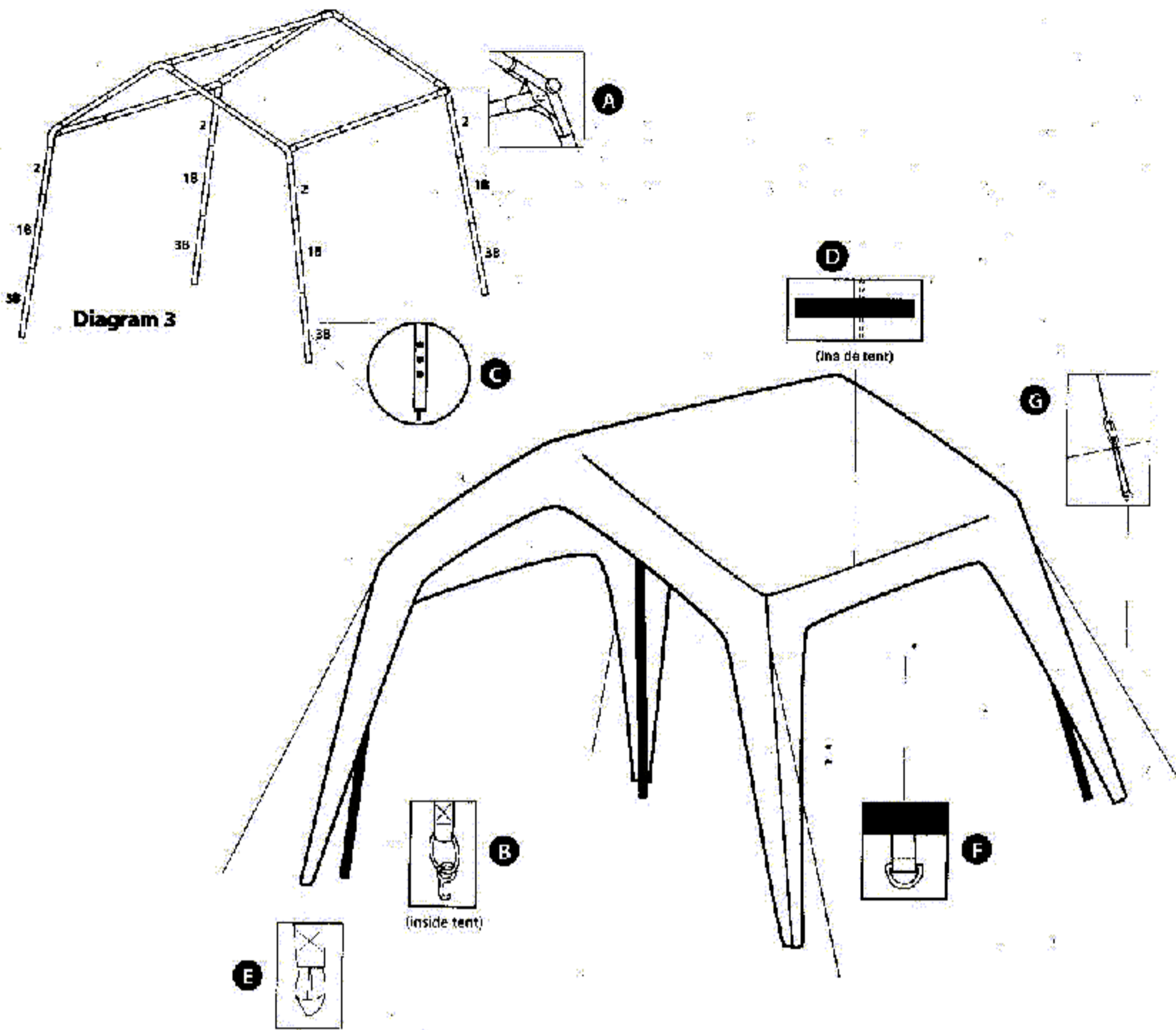


slider for adjusting guy line tension

Step 2 – Install the Poles

Insert the ends of each of the three roof poles into the 3-way hubs **A**. See Diagram 1.

Insert the four side roof poles into the 3-way hubs. See Diagram 2.



Taking Down Your Tent

Unzip doors and windows and collapse the tent, removing and disassembling the poles. Place poles in the pole storage bag and tie shut.

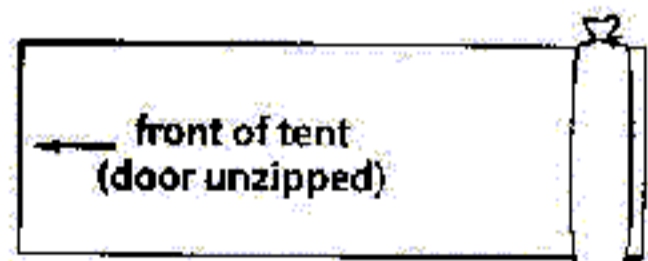
Remove stakes. Do not remove stakes from the ground by pulling on the stake loops. This may cause the stake loops to tear out of the seam.

Spread tent out flat with all loose fabric and rainfly (if tent has one) within the edges of the tent base. Try to flatten tent as much as possible.

Fold tent in half, thirds or quarters. (Folding depends on the length of the tent pole sections.)



- Place pole bag on back end of tent (trapped air is more easily forced out of the open door when you are rolling up the tent.) The folded tent should be the width of the pole bag.



- Beginning at the back end, roll your tent tightly around the pole bag, forcing out excess air as you roll. Keep tent edges straight and pole bag centered as you roll.
- When tent is rolled up, tie strap around it and place into tent carry bag with stake bag, instruction sheet, and other miscellaneous parts. If tent won't fit into bag, unroll and reroll more tightly.